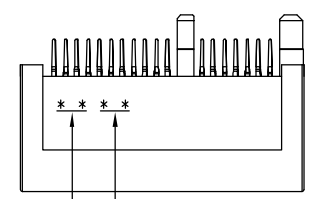
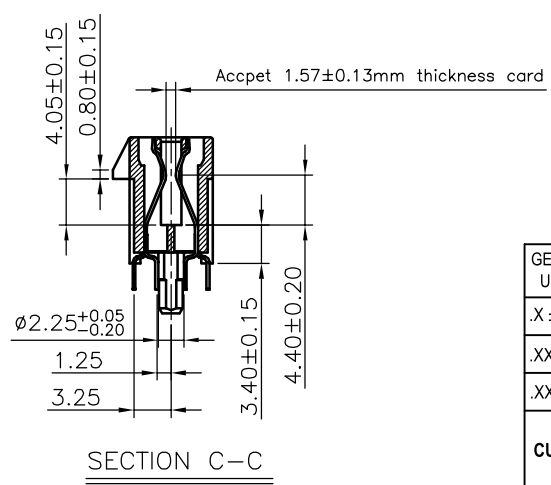
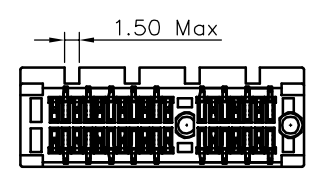
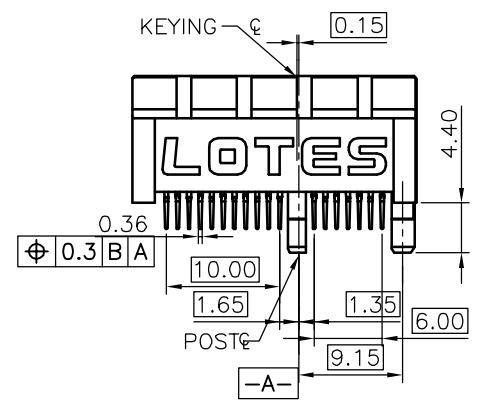
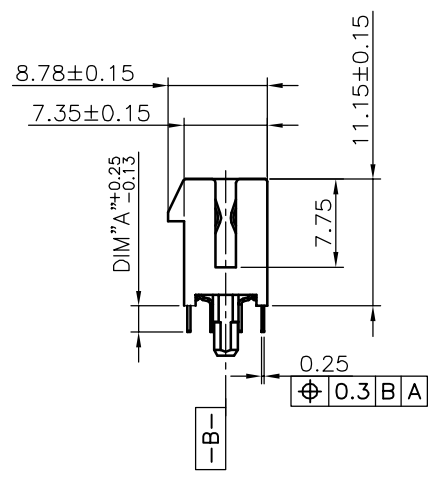
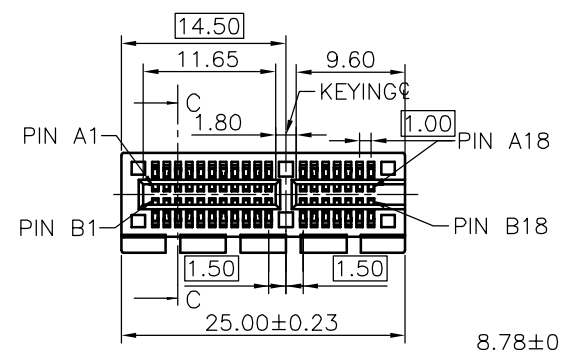


REV.	ECN NO./DESCRIPTION	DATE
2	N150394	12/19'15
2A	R160606	09/29'16

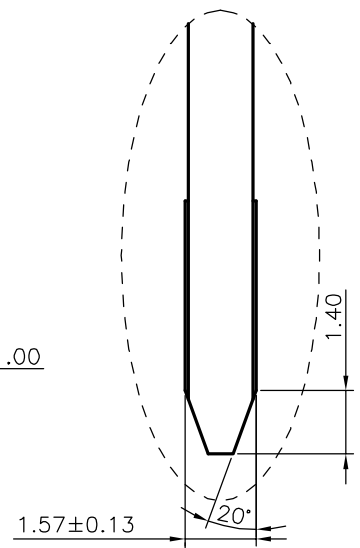
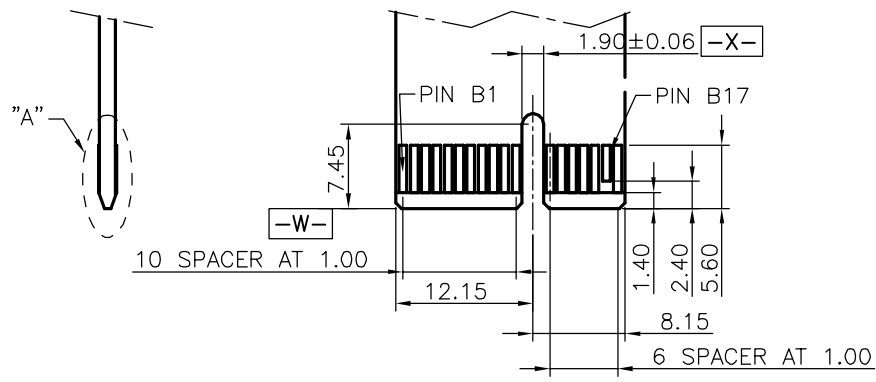
- NOTES:
- MATERIAL:**
HOUSING:HIGH TEMPERATURE THERMOPLASTIC(SEE TABLE)
TERMINAL:PHOSPHOR BRONZE OR BRASS.
 - FINISH:**
TERMINAL: 50u" NI PLATING OVER ALL;
100u" MATTE Sn PLATING ON SOLDER TAIL;
GOLD PLATING ON CONTACT AREA.
 - MECHANICAL SPEC:**
DURABILITY : 50 MATING CYCLES.
RETENTION FORCE : 0.40 kgf MIN PER PIN.
MATING FORCE : 1.15N MAX PER PAIR.
UNMATING FORCE : 0.15N MIN PER PAIR.
 - ELECTRICAL SPEC:**
CURRENT RATING: 1.1A MIN PER PIN.
CONTACT RESISTANCE: 30 MILLIOHMS MAX. INITIAL.
INSULATION RESISTANCE: 1000 MEGOHMS MIN.
DIELECTRIC WITHSTANDING VOLTAGE: 500V AC MIN.
 - WAVE SOLDERING:**
THE CONNECTOR SHALL BE MOUNTED ON THE PCB,
THE TEMPERATURE OF THE SOLDER SHALL BE
260±5°C AND IMMERSION DURATION 10±2 SECONDS.
 - RoHS COMPLIANT OR HALOGEN FREE COMPLIANT.**



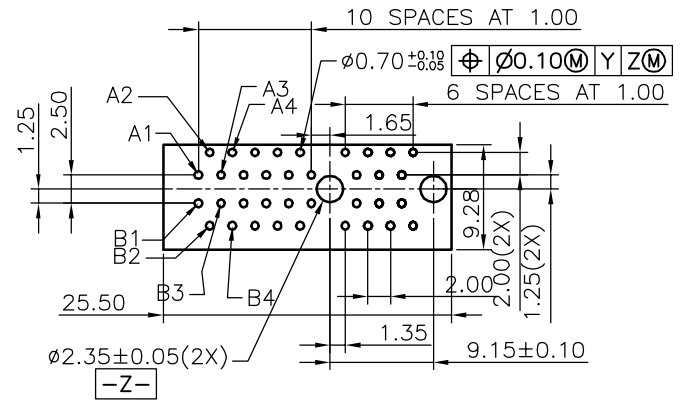
DATE CODE: WEEK YEAR

GENERAL TOLERANCES UNLESS SPECIFIED		PART NO.	LOTES		
.X ± 0.35	X.° ± 3°	SEE TABLE			
.XX ± 0.25	X.° ± 2°	APPROVED BY	TITLE		
.XXX ± 0.15	.XX° ± 1°	liguanjie 09/29'16	36PIN PCI-EXPRESS CONNECTOR		
CUSTOMER DRAWING		CHECKED BY	DWG NO.		
		zhangbiao 09/29'16	808001356		
SIZE	UNITS	DRAWN BY	SHEET	SCALE	REV
A4	mm [INCH]	huhualin 09/29'16			

REV.	ECN NO./DESCRIPTION	DATE
2	N150394	12/19'15
2A	R160606	09/29'16

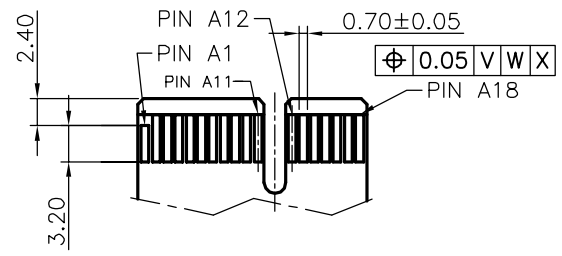


DETAIL "A"
SCALE 4/1



RECOMMENDED FOOTPRINT(TOP VIEW)

DEFAULT TOLERANCE ±0.05



GENERAL TOLERANCES UNLESS SPECIFIED		PART NO.	LOTES		
.X ± 0.35	X.° ± 3°	SEE TABLE	TITLE 36PIN PCI-EXPRESS CONNECTOR		
.XX ± 0.25	X.° ± 2°	APPROVED BY liguanjie 09/29'16	DWG NO. 808001356		
.XXX ± 0.15	.XX° ± 1°	CHECKED BY zhangbiao 09/29'16	DRAWN BY huhualin 09/29'16		
CUSTOMER DRAWING		DRAWN BY huhualin 09/29'16			SHEET 2 / 2
SIZE A4	UNITS mm [INCH]	DRAWN BY huhualin 09/29'16			SCALE 3:2
		DRAWN BY huhualin 09/29'16			REV 2A

1 2 3 4 5 6 7 8

F

F

PART NUMBER	SPECIFICATION	DIM "A"
808001356	HOUSING_BLACK UL-94 V0;PHOSPHOR BRONZE C5191_G/F;POST L.T;	2.30mm

E

E

D

D

C

C

B

B

A

A

1 2 3 4 5 6 7 8